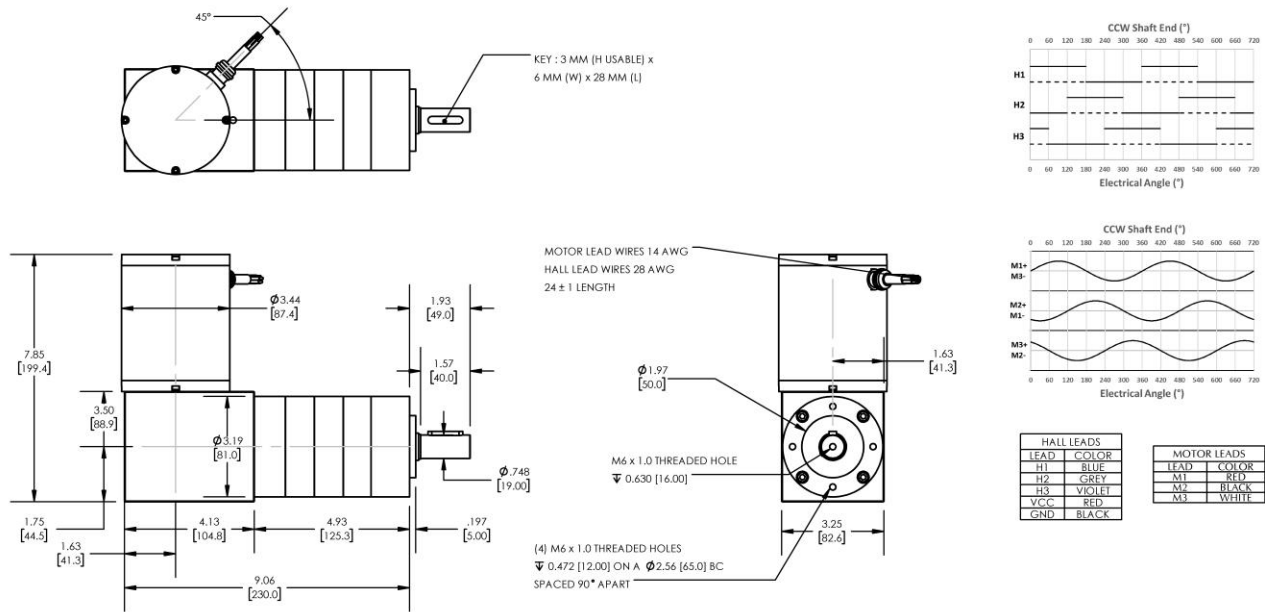




REVERSIBLE BRUSHLESS DC RIGHT-ANGLED GEARMOTOR

Model Number:

MMP BL87-435I-180V GRA81-1140



DIMENSIONS ARE INCHES [MM] UNLESS OTHERWISE STATED

PLANETARY GEARMOTOR OUTPUT PARAMETERS:	VALUE	UNITS	TOLERANCE
Gearhead Ratio (exact)	1139.73 : 1		
Gearhead Shaft Output Speed (at full-load)	4.6	RPM	MAX
Gearmotor Rated Continuous Torque	2124	In-Lbs	MAX
Gearmotor Rated Peak Torque	2124++	In-Lbs	----
Gearhead Standard Backlash	39	Arc Minutes	MAX
Gearhead Efficiency	65%	----	----
Output Shaft Radial Load Capacity	293	Lbs	MAX
Output Shaft Axial Load Capacity	63	Lbs	MAX
Gearmotor Total Weight	19	Lbs	MAX

++ All Peak Torque values are dependent upon duty. Contact our sales office for details.

DC MOTOR PERFORMANCE PARAMETERS:	VALUE	UNITS	TOLERANCE
Rated DC Voltage	180	DC VOLTS	----
Rated Continuous Current	1.4	AMPERES	----
No-Load Speed	5538	RPM	MAX
Rated Speed	5221	RPM	+/- 15%
Rated Continuous Power Out	177	WATTS	+/- 15%
Rated Continuous Torque	46	OZ-IN	----
Peak Torque (motor only)	714	OZ-IN	----
No-Load Current	0.35	AMPERES	MAX
Back EMF Constant (Ke)	32.5	V/KRPM	+/- 10%
Torque Constant (Kt)	44.0	OZ-IN/AMP	+/- 10%
DC Armature Resistance	7.38	OHMS	+/- 15%
Armature Inductance	4.60	mH	+/- 15%
Armature temperature	155	DEG. C	MAX

NOTES:

- ENCODER & BRAKE OPTIONS AVAILABLE – [FOLLOW THIS LINK FOR DETAILS](#)
- NEMA MOUNTING FLANGE OPTION AVAILABLE – [FOLLOW THIS LINK FOR DETAILS](#)

MIDWEST MOTION PRODUCTS, INC

DESIGN, MANUFACTURING & DISTRIBUTION - MOTION CONTROL EQUIPMENT

www.midwestmotion.com

email: sales@midwestmotion.com